



REPUBLIC FASTENER MANUFACTURING CORPORATION



FREUNDLICH SUPPLY CO., INC
2200 ARTHUR KILL ROAD
STATEN ISLAND, NY 10309-1202
718-356-1500/800-221-0260
FAX: 718-356-3661
www.fresupco.com
Email: fsc@fresupco.com
ISO9001: 2000 Certified
AS9100: 2004 Certified



RFM CROSS REFERENCE LIST, CLIP-ON NUTS

MANUFACTURER TO ORIGINAL EQUIPMENT MANUFACTURER

	REPUBLIC SHUR-LOK	AIRBUS	FOKKER	GRUMMAN	McDONNELL DOUGLAS	
	SL210-04-1	NSA5066-04-1			HS5778-04-1	
	SL210-04-2	NSA5066-04-2			HS5778-04-2	
	SL210-04-3	NSA5066-04-3			HS5778-04-3	
	SL210-04-4	NSA5066-04-4			HS5778-04-4	
	SL210-06-1	NSA5066-06-1			HS5778-06-1	
	SL210-06-2	NSA5066-06-2			HS5778-06-2	
	SL210-06-3	NSA5066-06-3			HS5778-06-3	
	SL210-06-4	NSA5066-06-4			HS5778-06-4	
	SL210-08-1	NSA5066-08-1			HS5778-08-1	
	SL210-08-2	NSA5066-08-2			HS5778-08-2	
	SL210-08-3	NSA5066-08-3			HS5778-08-3	
	SL210-08-4	NSA5066-08-4			HS5778-08-4	
	SL210- 3-1	NSA5066- 3-1			HS5778- 3-1	
	SL210- 3-2	NSA5066- 3-2			HS5778- 3-2	
	SL210- 3-3	NSA5066- 3-3			HS5778- 3-3	
SL210- 3-4	NSA5066- 3-4			HS5778- 3-4		
	SL211-04-1SP9	NSA5067-04-1				
	SL211-06-1SP9 SL211-06-2	NSA5067-06-1 NSA5067-06-2	FoN2-2165-06			
	SL211-08-1SP9 SL211-08-2	NSA5067-08-1 NSA5067-08-2	FoN2-2165-08			
	SL211- 3-1SP9 SL211- 3-2 SL211- 3-2SP9 SL211- 3-3SP9	NSA5067- 3-1 NSA5067- 3-2		GN512JT3-1 GN512JT3-2 GN512JT3-3		
	SL212-04-1 SL212-06-1 SL212-08-1 SL212- 3-1	NSA5104-04 NSA5104-06 NSA5104-08 NSA5104- 3				
		SL213-04-1SP14 SL213-04-2SP14 SL213-06-1SP14 SL213-06-2SP14 SL213-08-1SP14 SL213-08-2SP14 SL213- 3-1SP14 SL213- 3-2SP14 SL213- 3-1SP1	NSA5110-06-1 NSA5110-08-1 NSA5110- 3-1 NSA5110- 3-2 NSA5110- 3-1C	FoN2-2167- 6-1 FoN2-2167- 6-2 FoN2-2167- 8-1 FoN2-2167- 8-2 FoN2-2167-10-1 FoN2-2167-10-2	GN512EU04-1 GN512EU04-2 GN512EU06-1 GN512EU06-2 GN512EU08-1 GN512EU08-2 GN512EU 3-1 GN512EU 3-2	
		SL214-06-1 SL214-08-1 SL214- 3-1 SL214- 4-1	NSA5084-06 NSA5084-08 NSA5084- 3 NSA5084- 4			

RFM CROSS REFERENCE LIST, CLIP-ON NUTS MANUFACTURER TO ORIGINAL EQUIPMENT MANUFACTURER

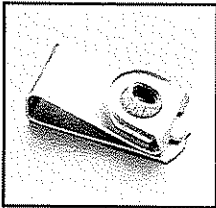
REPUBLIC

REPUBLIC
SHUR-LOK

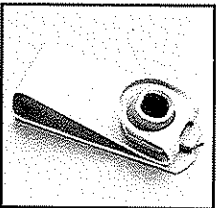
McDONNELL
DOUGLAS

BOEING

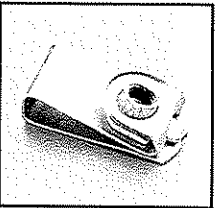
GENERAL
DYNAMICS/
LOCKHEED



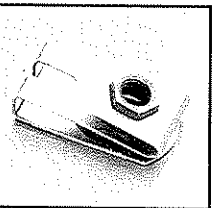
MDRC500- 3-06	SL231-06-1-281	3D0039- 3
MDRC500- 4-08	SL231-08-1-250	3D0039- 4
MDRC500- 5-08	SL231-08-1-281	3D0039- 5
MDRC500- 6-08	SL231-08-1-375	3D0039- 6
MDRC500- 8-08	SL231-08-1-500	3D0039- 8
MDRC500-10-08	SL231-08-1-625	3D0039-10
MDRC500- 4- 3	SL231- 3-1-250	3D0039-12
MDRC500- 5- 3	SL231- 3-1-281	3D0039-14
MDRC500- 6- 3	SL231- 3-1-375	3D0039-16
MDRC500- 8- 3	SL231- 3-1-500	3D0039-18
MDRC500-10- 3	SL231- 3-1-625	3D0039-20
MDRC500-12- 3	SL231- 3-1-705	3D0039-22
MDRC600- 7-08		3D0045-08-1
MDRC600- 7- 3		3D0045- 3-1
MDRC600- 9- 3		3D0045- 3-2



BRC500- 8 -08 ()	SL213-08-1 ()	BACN10FX83 ()
	SL211-08 -1 ()	BACN10FX84 ()
	SL218- 3 -4 ()	BACN10FX17 ()
BRC500- 8 - 3 ()	SL240- 3-1 ()	BACN10FX21 ()
BRC500-10 - 3 ()	SL241- 3-1 ()	BACN10FX22 ()
BRC500-10G- 3 ()	SL250- 3-1 ()	BACN10FX23 ()
BRC500- 8G- 3 ()	SL253- 3-1 ()	BACN10FX24 ()
ADD "GP" INSIDE () FOR GREEN PRIMER	ADD "GP" INSIDE () FOR GREEN PRIMER	ADD "G" INSIDE () FOR GREEN PRIMER



RC500-8-08	SL213-04-1	C646 -04
RC500-8- 3	SL213-06-1	C646 -06
RC500-4- 3	SL213-08-1	C646 -08
RC500-4-31	SL213- 3-1	C646 -10
	SL210- 3-1	C646 -10R
	SL210- 3-2	C646 -10R1
	SL210- 3-3	C646 -10R2
	SL214- 4-1	C646 -4
	SL211-04-1	C9641-1
	SL211-06-1	C9641-2
	SL211-08-1	C9641-3
	SL211- 3-1	C9641-4



BRC600- 8 -3 ()	BACN10YD1 ()
BRC600-10 -3 ()	BACN10YD2 ()
BRC600-10G-3 ()	BACN10YD3 ()
BRC600- 8G-3 ()	BACN10YD4 ()
BRC600-12 -3 ()	BACN10YD6 ()
ADD "GP" INSIDE () FOR GREEN PRIMER	ADD "G" INSIDE () FOR GREEN PRIMER



RFM CROSS REFERENCE LIST, CLIP-ON NUTS

MANUFACTURER TO ORIGINAL EQUIPMENT MANUFACTURER

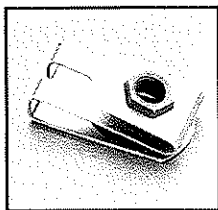
REPUBLIC
SHUR-LOK

McDONNELL
DOUGLAS

LOCKHEED

NORTHROP

GRUMMAN

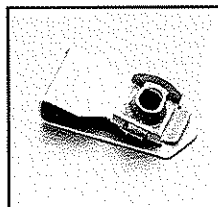


RC500- 8 -3
RC500-10 -3
RC600- 8 -3
RC600-10 -3
RC600-10G-3
RC600- 8G-3
RC600-12 -3

GN512JP3-4
GN512JP3-5
GN512MG1
GN512MG2
GN512MG3
GN512MG4
GN512MG5

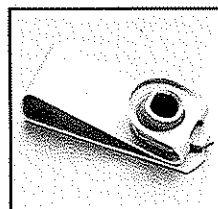
MCRC500C3M-4

ST3M610C3M10-9



SL211-08-1
SL211- 3-1
SL213-08-1
SL213- 3-1
SL213- 3-2
SL215-08-1
SL215-08-2
SL215- 3-1

RM52LHA4972- 6-82
RM52LHA4972- 6-02
RM52LHA4972- 8-82
RM52LHA4972- 8-02
SL213-3-2
RM52LHA4972-10-82
SL215-08-2
RM52LHA4972-10-02



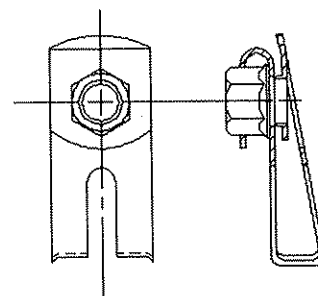
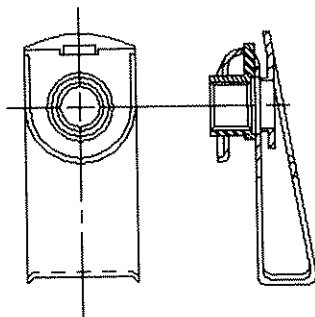
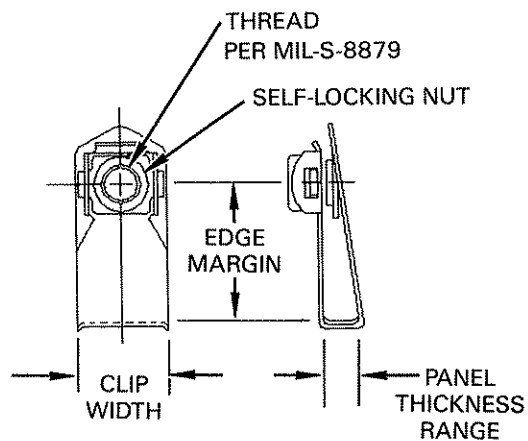
NRC600-C3M-1 ()
NRC700-C3M-2 ()
NRC700-C3M-3 ()
NRC600-C3M-4 ()
NRC600-C3M-5 ()
NRC600-C3M-6 ()
NRC600-C3M-7 ()
NRC600-C3M-8 ()
ADD "P" INSIDE
() FOR CADMIUM
PLATE.

03A111-3-1 ()
03A111-3-2 ()
03A111-3-3 ()
03A111-3-4 ()
03A111-3-5 ()
03A111-3-6 ()
03A111-3-7 ()
03A111-3-8 ()
ADD "P" INSIDE
() FOR CADMIUM
PLATE.

SL211 SERIES
SL213 SERIES
SL215 SERIES

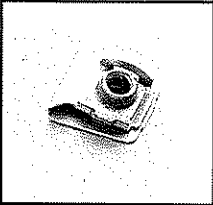
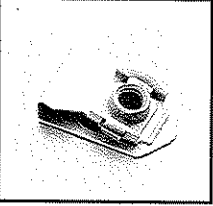
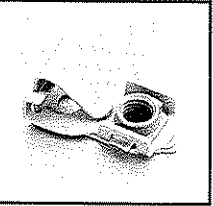
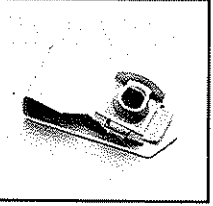
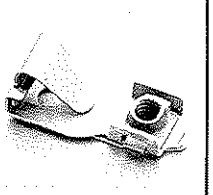
RC500 SERIES

RC600 SERIES



RFM CLIP-ON NUTS SELECTION GUIDE

LOW PROFILE CLIP NUTS, UNIFIED THREAD STANDARD

	PART NUMBER	PANEL THICKNESS	THREAD SIZE	EDGE MARGIN	CLIP WIDTH
	SL210-04-1	.020-.060	4-40	.250	.437
	SL210-04-2	.060-.125	4-40	.250	.437
	SL210-04-3	.125-.187	4-40	.250	.437
	SL210-04-4	.187-.250	4-40	.250	.437
	SL210-06-1	.020-.060	6-32	.250	.437
	SL210-06-2	.060-.125	6-32	.250	.437
	SL210-06-3	.125-.187	6-32	.250	.437
	SL210-06-4	.187-.250	6-32	.250	.437
	SL210-08-1	.020-.060	8-32	.250	.437
	SL210-08-2	.060-.125	8-32	.250	.437
	SL210-08-3	.125-.187	8-32	.250	.437
	SL210-08-4	.187-.250	8-32	.250	.437
	SL210- 3-1	.020-.060	10-32	.250	.437
	SL210- 3-2	.060-.125	10-32	.250	.437
	SL210- 3-3	.125-.187	10-32	.250	.437
	SL210- 3-4	.187-.250	10-32	.250	.437
	SL211-04-1	.020-.125	4-40	.375	.437
	SL211-04-2	.090-.160	4-40	.375	.437
	SL211-04-3	.160-.250	4-40	.375	.437
	SL211-06-1	.020-.125	6-32	.375	.437
	SL211-06-2	.090-.160	6-32	.375	.437
	SL211-06-3	.160-.250	6-32	.375	.437
	SL211-08-1	.020-.125	8-32	.375	.437
	SL211-08-2	.090-.160	8-32	.375	.437
	SL211-08-3	.160-.250	8-32	.375	.437
	SL211- 3-1	.020-.125	10-32	.375	.437
	SL211- 3-2	.090-.160	10-32	.375	.437
	SL211- 3-3	.160-.250	10-32	.375	.437
	SL212-04-1	.020-.125	4-40	.38-.50	.460
	SL212-06-1	.020-.125	6-32	.38-.50	.460
	SL212-08-1	.020-.125	8-32	.38-.50	.460
	SL212- 3-1	.020-.125	10-32	.38-.50	.460
	SL213-04-1	.020-.160	4-40	.38-.50	.437
	SL213-04-2	.160-.250	4-40	.38-.50	.437
	SL213-06-1	.020-.160	6-32	.38-.50	.437
	SL213-06-2	.160-.250	6-32	.38-.50	.437
	SL213-08-1	.020-.160	8-32	.38-.50	.437
	SL213-08-2	.160-.250	8-32	.38-.50	.437
	SL213- 3-1	.020-.160	10-32	.38-.50	.437
	SL213- 3-2	.160-.250	10-32	.38-.50	.437
	SL214-06-1	.020-.125	6-32	.50-.62	.460
	SL214-08-1	.020-.125	8-32	.50-.62	.460
	SL214- 3-1	.020-.125	10-32	.50-.62	.460
	SL214- 4-1	.020-.125	1/4-28	.50-.62	.460

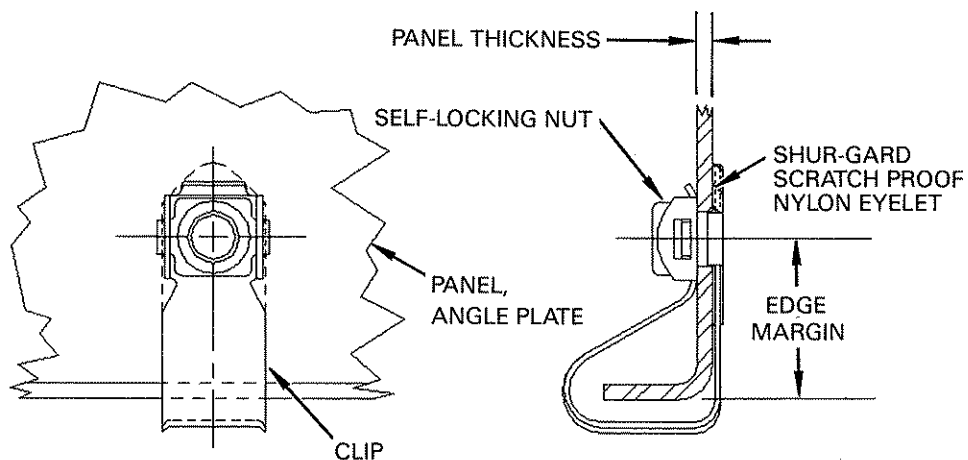


CLIP-ON NUTS SELECTION GUIDE

LOW PROFILE CLIP NUTS, UNIFIED THREAD STANDARD

	PART NUMBER	PANEL THICKNESS	THREAD SIZE	EDGE MARGIN	CLIP WIDTH
	SL215-06-1	.020-.160	6-32	.50-.62	.437
	SL215-06-2	.160-.250	6-32	.50-.62	.437
	SL215-08-1	.020-.160	8-32	.50-.62	.437
	SL215-08-2	.160-.250	8-32	.50-.62	.437
	SL215- 3-1	.020-.160	10-32	.50-.62	.437
	SL215- 3-2	.160-.250	10-32	.50-.62	.437
	SL259 -06	.032-.130	6-32	.55	.380
	SL259 -08	.032-.130	8-32	.55	.380
	SL259 - 3	.032-.130	10-32	.55	.380
	SL265-06-1	.020-.160	6-32	.50-.62	.437
	SL265-06-2	.160-.250	6-32	.50-.62	.437
	SL265-08-1	.020-.160	8-32	.50-.62	.437
	SL265-08-2	.160-.250	8-32	.50-.62	.437
	SL265- 3-1	.020-.160	10-32	.50-.62	.437
	SL265- 3-2	.160-.250	10-32	.50-.62	.437
	SL268-04-1	.020-.160	4-40	.38-.50	.437
	SL268-04-2	.160-.250	4-40	.38-.50	.437
	SL268-06-1	.020-.160	6-32	.38-.50	.437
	SL268-06-2	.160-.250	6-32	.38-.50	.437
	SL268-08-1	.020-.160	8-32	.38-.50	.437
	SL268-08-2	.160-.250	8-32	.38-.50	.437
	SL268 -3-1	.020-.160	10-32	.38-.50	.437
	SL268 -3-2	.160-.250	10-32	.38-.50	.437

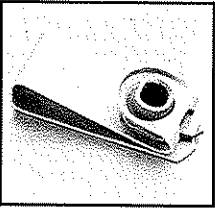
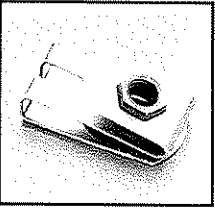
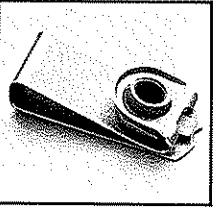
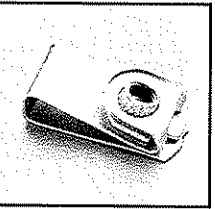
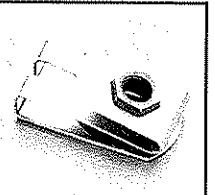
SL259 SERIES





CLIP-ON NUTS SELECTION GUIDE

CLIP NUTS, UNIFIED THREAD STANDARD

	REPUBLIC	REPUBLIC SHUR-LOK	PANEL THICKNESS	THREAD SIZE	EDGE MARGIN	CLIP WIDTH
	RC500- 8 -08		.020-.160	8-32	.500	.406
	RC500-10 -08		.020-.160	8-32	.625	.406
	RC500- 8 - 3		.020-.160	10-32	.500	.406
	RC500-10 - 3		.020-.160	10-32	.625	.406
	RC500-10G- 3		.090-.150	10-32	.625	.406
	RC500- 8G- 3		.090-.150	10-32	.500	.406
	RC600- 8 - 3		.020-.090	10-32	.500	.437
	RC600-10 - 3		.020-.090	10-32	.650	.437
	RC600-10G- 3		.090-.150	10-32	.650	.437
	RC600- 8G- 3		.090-.150	10-32	.500	.437
	RC600-12 - 3		.140-.230	10-32	.710	.437
	RC600- 7 -08		.020-.090	8-32	.437	.400
	RC600- 7 - 3		.020-.090	10-32	.437	.400
	RC600- 9 - 3		.030-.100	10-32	.562	.400
	RC700C3M-2		.050-.120	10-32	.250	.500
	RC600C3M-1		.050-.090	10-32	.500	.437
	RC700C3M-3		.090-.120	10-32	.500	.437
	RC500C3M-4		.090-.120	10-32	.625	.406
	MDRC500- 3-06	SL231-06-1-281	.030-.062	6-32	.281	.406
	MDRC500- 4-08	SL231-08-1-250	.020-.120	8-32	.250	.500
	MDRC500- 5-08	SL231-08-1-281	.020-.120	8-32	.281	.500
	MDRC500- 6-08	SL231-08-1-375	.020-.120	8-32	.375	.447
	MDRC500- 8-08	SL231-08-1-500	.020-.120	8-32	.500	.447
	MDRC500-10-08	SL231-08-1-625	.020-.120	8-32	.625	.447
	MDRC500- 4- 3	SL231- 3-1-250	.020-.120	10-32	.250	.500
	MDRC500- 5- 3	SL231- 3-1-281	.020-.120	10-32	.281	.500
	MDRC500- 6- 3	SL231- 3-1-375	.020-.090	10-32	.375	.447
	MDRC500- 8- 3	SL231- 3-1-500	.020-.120	10-32	.500	.447
	MDRC500-10- 3	SL231- 3-1-625	.020-.120	10-32	.625	.447
	MDRC500-12- 3	SL231- 3-1-705	.140-.250	10-32	.705	.447
	MDRC600- 7-08	SL245-08-7	.020-.090	8-32	.437	.400
	MDRC600- 7- 3	SL245- 3-7	.020-.090	10-32	.437	.400
	MDRC600- 9- 3	SL245- 3-9	.030-.100	10-32	.562	.400
	MCRC500C3M-4		.020-.090	10-32	.625	.406
	BRC500- 8-08	SL213-08-1	.020-.160	8-32	.500	.447
	SL211-08-1	.020-.125	8-32	.375	.447	
	SL218- 3-4	.430-.615	10-32	.500	.447	
BRC500- 8- 3	SL240- 3-1	.020-.160	10-32	.500	.447	
BRC500-10- 3	SL241- 3-1	.020-.160	10-32	.625	.447	
BRC500-10G-3	SL250- 3-1	.080-.160	10-32	.625	.447	
BRC500- 8G-3	SL253- 3-1	.080-.160	10-32	.500	.447	
BRC600- 8- 3		.020-.090	10-32	.500	.447	
BRC600-10- 3		.020-.090	10-32	.650	.447	
BRC600-10G-3		.090-.150	10-32	.650	.447	
BRC600- 8G-3		.090-.150	10-32	.500	.447	
BRC600-12- 3		.140-.230	10-32	.710	.447	
	NRC600-C3M-1		.050-.090	10-32	.500	.437
	NRC600-C3M-2		.050-.120	10-32	.500	.500
	NRC600-C3M-3		.090-.120	10-32	.500	.437
	NRC600-C3M-4		.050-.090	10-32	.500	.447
	NRC600-C3M-5		.050-.090	10-32	.650	.447
	NRC600-C3M-6		.090-.150	10-32	.650	.447
	NRC600-C3M-7		.090-.150	10-32	.500	.447
	NRC600-C3M-8		.140-.230	10-32	.710	.447



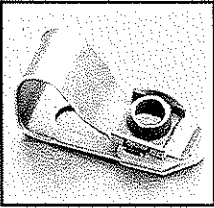
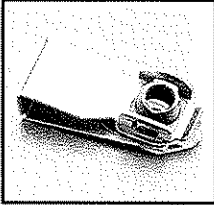

CLIP-ON NUTS SELECTION GUIDE

LOW PROFILE CLIP NUTS, METRIC THREAD STANDARD

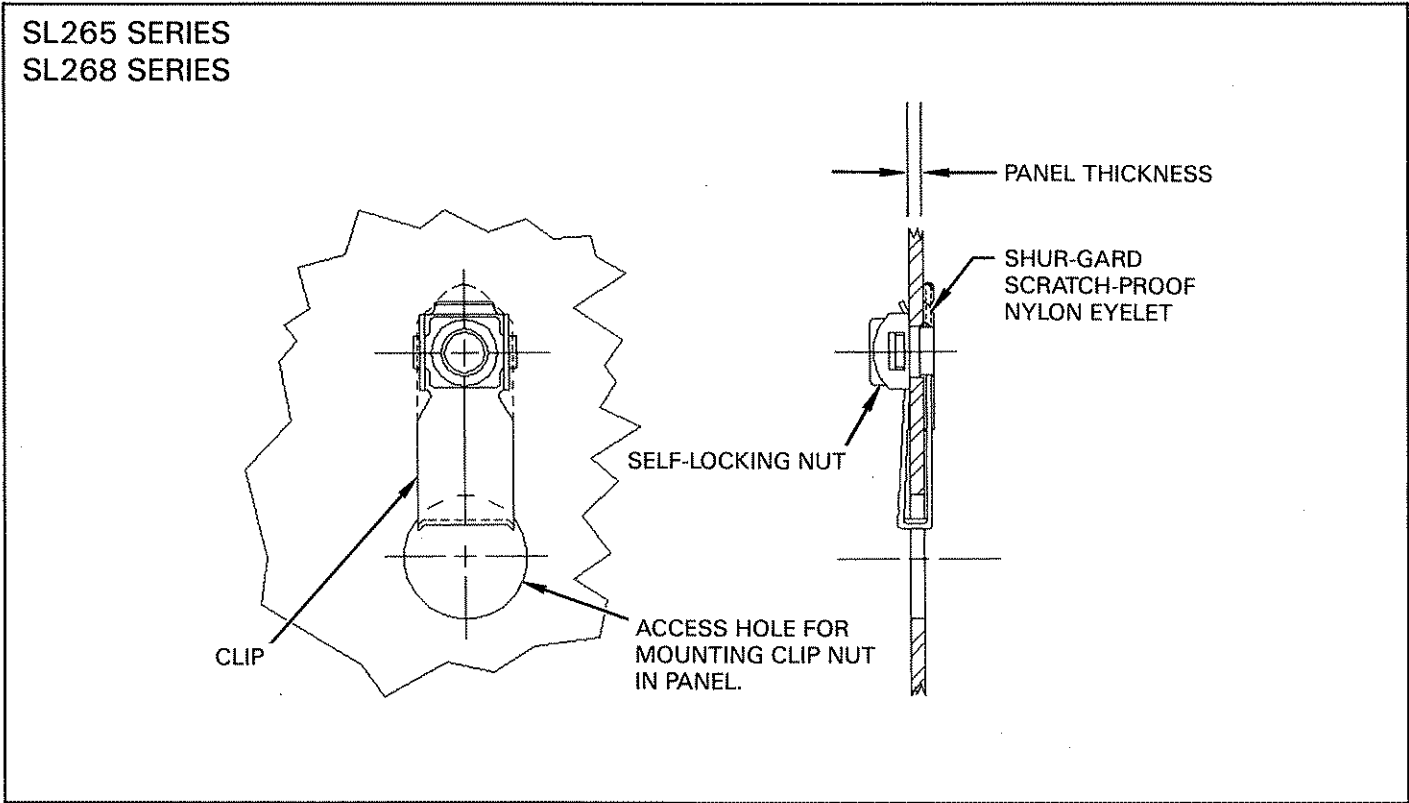
	PART NUMBER	PANEL THICKNESS	THREAD SIZE	EDGE MARGIN	CLIP WIDTH
	SL210 M3-1	,51-1,52	MJ3X0,5	6,35	11,10
	SL210 M3-2	1,52-3,18	MJ3X0,5	6,35	11,10
	SL210 M3-3	3,18-4,75	MJ3X0,5	6,35	11,10
	SL210 M3-4	4,75-6,35	MJ3X0,5	6,35	11,10
	SL210 M4-1	,51-1,52	MJ4X0,7	6,35	11,10
	SL210 M4-2	1,52-3,18	MJ4X0,7	6,35	11,10
	SL210 M4-3	3,18-4,75	MJ4X0,7	6,35	11,10
	SL210 M4-4	4,75-6,35	MJ4X0,7	6,35	11,10
	SL210 M5-1	,51-1,52	MJ5X0,8	6,35	11,10
	SL210 M5-2	1,52-3,18	MJ5X0,8	6,35	11,10
	SL210 M5-3	3,18-4,75	MJ5X0,8	6,35	11,10
	SL210 M5-4	4,75-6,35	MJ5X0,8	6,35	11,10
		SL211 M3-1	,51-3,18	MJ3X0,5	9,53
SL211 M3-2		2,29-4,06	MJ3X0,5	9,53	11,10
SL211 M3-3		4,06-6,35	MJ3X0,5	9,53	11,10
SL211 M4-1		,51-3,18	MJ4X0,7	9,53	11,10
SL211 M4-2		2,29-4,06	MJ4X0,7	9,53	11,10
SL211 M4-3		4,06-6,35	MJ4X0,7	9,53	11,10
SL211 M5-1		,51-3,18	MJ5X0,8	9,53	11,10
SL211 M5-2		2,29-4,06	MJ5X0,8	9,53	11,10
SL211 M5-3		4,06-6,35	MJ5X0,8	9,53	11,10
	SL212 M3-1	,51-3,18	MJ3X0,5	9,7-12,7	11,68
	SL212 M4-1	,51-3,18	MJ4X0,7	9,7-12,7	11,68
	SL212 M5-1	,51-3,18	MJ5X0,8	9,7-12,7	11,68
	SL213 M3-1	,51-4,06	MJ3X0,5	9,7-12,7	11,10
	SL213 M3-2	4,06-6,35	MJ3X0,5	9,7-12,7	11,10
	SL213 M4-1	,51-4,06	MJ4X0,7	9,7-12,7	11,10
	SL213 M4-2	4,06-6,35	MJ4X0,7	9,7-12,7	11,10
	SL213 M5-1	,51-4,06	MJ5X0,8	9,7-12,7	11,10
	SL213 M5-2	4,06-6,35	MJ5X0,8	9,7-12,7	11,10
	SL214 M3-1	,51-3,18	MJ3X0,5	12,7-15,7	11,68
	SL214 M4-1	,51-3,18	MJ4X0,7	12,7-15,7	11,68
	SL214 M5-1	,51-3,18	MJ5X0,8	12,7-15,7	11,68
	SL215 M3-1	,51-4,06	MJ3X0,5	12,7-15,7	11,10
	SL215 M3-2	4,06-6,35	MJ3X0,5	12,7-15,7	11,10
	SL215 M4-1	,51-4,06	MJ4X0,7	12,7-15,7	11,10
	SL215 M4-2	4,06-6,35	MJ4X0,7	12,7-15,7	11,10
	SL215 M5-1	,51-4,06	MJ5X0,8	12,7-15,7	11,10
	SL215 M5-2	4,06-6,35	MJ5X0,8	12,7-15,7	11,10

RFM CLIP-ON NUTS SELECTION GUIDE

LOW PROFILE CLIP NUTS, METRIC THREAD STANDARD

PART NUMBER	PANEL THICKNESS	THREAD SIZE	EDGE MARGIN	CLIP WIDTH	
	SL259 M3	,81-3,30	MJ3X0,5	14,0	9,65
	SL259 M4	,81-3,30	MJ4X0,7	14,0	9,65
	SL259 M5	,81-3,30	MJ5X0,8	14,0	9,65
	SL265 M3-1	,51-4,06	MJ3X0,5	12,7-15,7	11,10
	SL265 M3-2	4,06-6,35	MJ3X0,5	12,7-15,7	11,10
	SL265 M4-1	,51-4,06	MJ4X0,7	12,7-15,7	11,10
	SL265 M4-2	4,06-6,35	MJ4X0,7	12,7-15,7	11,10
	SL265 M5-1	,51-4,06	MJ5X0,8	12,7-15,7	11,10
	SL265 M5-2	4,06-6,35	MJ5X0,8	12,7-15,7	11,10
	SL268 M3-1	,51-4,06	MJ3X0,5	9,7-12,7	11,10
	SL268 M3-2	4,06-6,35	MJ3X0,5	9,7-12,7	11,10
	SL268 M4-1	,51-4,06	MJ4X0,7	9,7-12,7	11,10
	SL268 M4-2	4,06-6,35	MJ4X0,7	9,7-12,7	11,10
	SL268 M5-1	,51-4,06	MJ5X0,8	9,7-12,7	11,10
	SL268 M5-2	4,06-6,35	MJ5X0,8	9,7-12,7	11,10

NOTE: SL259, SL265, AND SL268 SERIES CLIP-ON NUTS COME WITH A SCRATCH-PROOF, MOLDED NYLON INSERT EYELET.





CROSS REFERENCE LIST, CLIP-ON NUTS

MANUFACTURER TO MANUFACTURER

	REPUBLIC SHUR-LOK	MONADNOCK	EUFA
	SL210-04-1	13040000-1-1	EF2005-04-1
	SL210-04-2	13040000-1-2	EF2005-04-2
	SL210-04-3	13040000-1-4	EF2005-04-3
	SL210-04-4	13040000-1-5	EF2005-04-4
	SL210-06-1	13060000-1-1	EF2005-06-1
	SL210-06-2	13060000-1-2	EF2005-06-2
	SL210-06-3	13060000-1-4	EF2005-06-3
	SL210-06-4	13060000-1-5	EF2005-06-4
	SL210-08-1	13080001-1-1	EF2005-08-1
	SL210-08-2	13080001-1-2	EF2005-08-2
	SL210-08-3	13080001-1-4	EF2005-08-3
	SL210-08-4	13080001-1-5	EF2005-08-4
	SL210- 3-1	13100001-1-1	EF2005- 3-1
	SL210- 3-2	13100001-1-2	EF2005- 3-2
	SL210- 3-3	13100001-1-4	EF2005- 3-3
	SL210- 3-4	13100001-1-5	EF2005- 3-4
	SL211-04-1SP9	13040000-2-6	EF2004S04-1
	SL211-04-2SP9	13040000-2-7	EF2004S04-2
	SL211-04-3SP9	13040000-2-8	EF2004S04-3
	SL211-06-1SP9	13060000-2-6	EF2004S06-1
	SL211-06-2SP9	13060000-2-7	EF2004S06-2
	SL211-06-3SP9	13060000-2-8	EF2004S06-3
	SL211-08-1SP9	13080001-2-6	EF2004S08-1
	SL211-08-2SP9	13080001-2-7	EF2004S08-2
	SL211-08-3SP9	13080001-2-8	EF2004S08-3
	SL211- 3-1SP9	13100001-2-6	EF2004S 3-1
	SL211- 3-2SP9	13100001-2-7	EF2004S 3-2
	SL211- 3-3SP9	13100001-2-8	EF2004S 3-3
		SL212-04-1	13040000-3-6
SL212-06-1		13060000-3-6	
SL212-08-1		13080000-3-6	
SL212- 3-1		13100001-3-6	
	SL213-04-1SP14	13040000-4-3	EF2003-04-1
	SL213-04-2SP14	13040000-4-8	EF2003-04-2
	SL213-06-1SP14	13060000-4-3	EF2003-06-1
	SL213-06-2SP14	13060000-4-8	EF2003-06-2
	SL213-08-1SP14	13080001-4-3	EF2003-08-1
	SL213-08-2SP14	13080001-4-8	EF2003-08-2
	SL213- 3-1SP14	13100001-4-3	EF2003- 3-1
	SL213- 3-2SP14	13100001-4-8	EF2003- 3-2
	SL214-06-1	13060000-5-6	EF2006-06
	SL214-08-1	13080001-5-6	EF2006-08
	SL214- 3-1	13100001-5-6	EF2006- 3
	SL214- 4-1		
	SL215-06-1SP3	13060000-5-3	
	SL215-06-2SP3	13060000-5-8	
	SL215-08-1SP3	13080001-5-3	
	SL215-08-2SP3	13080001-5-8	
	SL215- 3-1SP3	13100001-5-3	
	SL215- 3-2SP3	13100001-5-8	

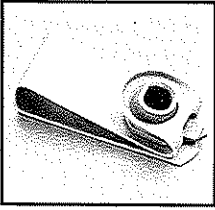


CROSS REFERENCE LIST, CLIP-ON NUTS MANUFACTURER TO MANUFACTURER

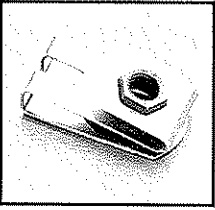
REPUBLIC

ESNA

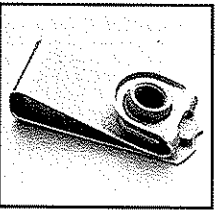
MONADNOCK



RC500- 8 -08	A11330- 8 -82	130007
RC500- 8 -08	A4972 - 8 -82	130007
RC500-10 -08	A4972 -10 -82	
RC500- 8 - 3	A11330- 8 - 3	130061
RC500- 8 - 3	A4972 - 8 -02	130061
RC500-10 - 3	A11330-10 - 3	130062
RC500-10 - 3	A4972 -10 -02	130062
RC500-10G- 3	A11330-10A- 3	130063
RC500- 8G- 3	A11330- 8A- 3	130064



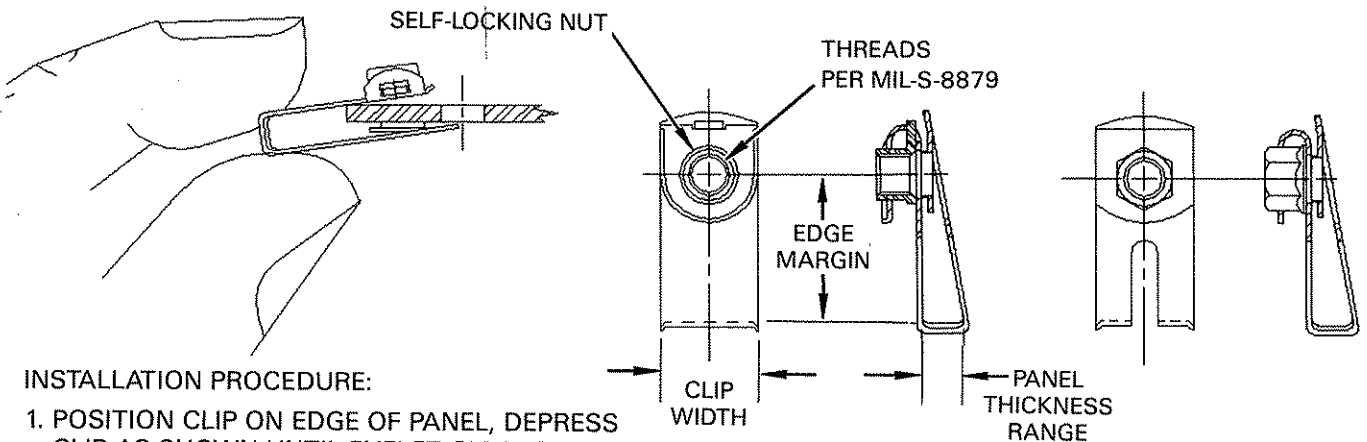
RC600- 8 - 3		130120
RC600-10 - 3		130121
RC600-10G- 3		130122
RC600- 8G- 3		130123
RC600-12 - 3		130125
RC600- 7 -08	A8790 - 7 -82	13080002
RC600- 7 - 3	A8790 - 7 - 3	130012
RC600- 9 - 3	A8790 - 9 - 3	13100003
RC700C3M- 2	A11144- 4 - 3	
RC600C3M- 1	A11144- 7 - 3	130091
RC700C3M- 3	A11144- 8 - 3	130094



RC500C3M- 4	A11144-10 - 3	
-------------	---------------	--

RC500 SERIES

RC600 SERIES



INSTALLATION PROCEDURE:

1. POSITION CLIP ON EDGE OF PANEL, DEPRESS CLIP AS SHOWN UNTIL EYELET CLEARS EDGE OF SHEET AND PUSH CLIP UNTIL EYELET PORTION SNAPS INTO INSTALLATION HOLE.
2. FOR PANEL INTERIOR MOUNTING, SLIDE FLAT LEG OF SPRING CLIP THRU ACCESS HOLE UNTIL EXTRUDED PILOT PORTION SNAPS INTO RECEIVING HOLE.



RFM CROSS REFERENCE LIST, CLIP-ON NUTS MANUFACTURER TO MANUFACTURER

	REPUBLIC	REPUBLIC SHUR-LOK	ESNA	MONADNOCK	
	MDRC500- 3-06	SL231-06-1-281	A4972- 5-62	13060001	
	MDRC500- 4-08	SL231-08-1-250	A4972-4A-82	13080000-1	
	MDRC500- 5-08	SL231-08-1-281	A4972-5A-82	13080000-2	
	MDRC500- 6-08	SL231-08-1-375	A4972- 6-82	13080000-3	
	MDRC500- 8-08	SL231-08-1-500	A4972- 8-82	13080000-4	
	MDRC500-10-08	SL231-08-1-625	A4972-10-82	13080000-5	
	MDRC500- 4- 3	SL231- 3-1-250	A4972- 4- 3	13100000-1	
	MDRC500- 5- 3	SL231- 3-1-281	A4972- 5- 3	13100000-2	
	MDRC500- 6- 3	SL231- 3-1-375	A4972- 6-02	13100000-3	
	MDRC500- 8- 3	SL231- 3-1-500	A4972- 8-02	13100000-4	
	MDRC500-10- 3	SL231- 3-1-625	A4972-10-02	13100000-5	
	MDRC500-12- 3	SL231- 3-1-705	A4972-11-02	13100000-6	
		MDRC600-7-08	SL245-08-7	A8790- 7-82	13080002
		MDRC600-7- 3	SL245- 3-7	A8790- 7- 3	130012
		MDRC600-9- 3	SL245- 3-9	A8790- 9- 3	13100003
		MCR500C3M-4		A11144-10- 3	
		BRC500- 8-08	SL213-08-1	A11330 - 8 -82	130007
		SL211-08-1	A11330 - 6 -82	130008	
		SL218- 3-4	LHA9829-10 - 3		
BRC500- 8 -3		SL240- 3-1	A11330 - 8 - 3	130061	
BRC500-10 -3		SL241- 3-1	A11330 -10 - 3	130062	
BRC500-10G-3		SL250- 3-1	A11330 -10A- 3	130063	
BRC500- 8G-3		SL253- 3-1	A11330 - 8A- 3	130064	
				130120	
				130121	
	BRC600- 8 -3			130122	
	BRC600-10 -3			130123	
	BRC600-10G-3			130125	
	BRC600- 8G-3				
	BRC600-12 -3				
	NRC600-C3M-1		132A11144-7 -3	13100009-1	
	NRC700-C3M-2		132A11144-4 -3	13100009-2	
	NRC700-C3M-3		132A11144-8 -3	13100009-3	
	NRC600-C3M-4		132A11144-8A-3	13100009-4	
	NRC600-C3M-5			13100009-5	
	NRC600-C3M-6			13100009-6	
	NRC600-C3M-7			13100009-7	
	NRC600-C3M-8			13100009-8	
	NRC600-C3M-1P		102A11144-7 -3		
	NRC700-C3M-2P		102A11144-4 -3		
	NRC700-C3M-3P		102A11144-8 -2		
	NRC600-C3M-4P		102A11144-8A-3		