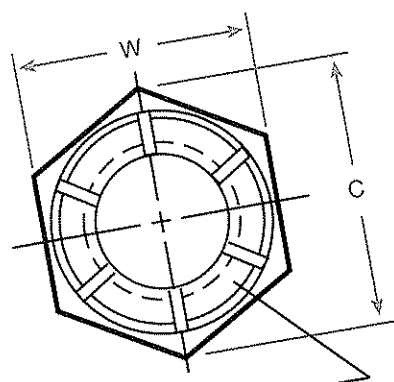


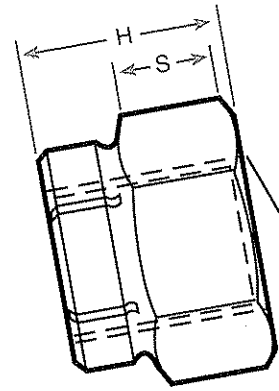
# FLEXLOC<sup>®</sup> PRODUCTS

## FLEXLOC<sup>®</sup> Full Height Military

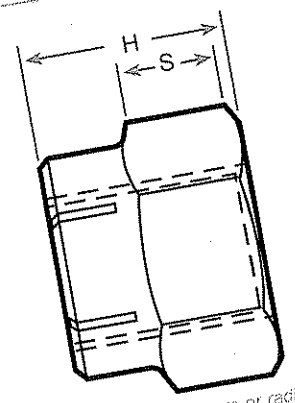
Standards and Specifications  
NASM25027 except as noted



Marking: "S" or "SPS" or ".100" and size. "C" designates cross material.



Style A



Style B

Countersink, counterbore or radius  
Either style to be supplied at manufacturer's option

Type*	Dash No	Threads See Note 5	C Ref	H Max	S Min	W Max	W Min	X
FH	440	.112-40 UNJC-3B	.268	.155	.050	.251	.243	.004
FH	540	.125-40 UNJC-3B	.268	.155	.052	.251	.243	.004
FH	632	.138-32 UNJC-3B	.339	.180	.075	.313	.305	.004
FH	832	.164-32 UNJC-3B	.374	.243	.105	.345	.336	.004
FH	1032	.190-32 UNJF-3B				.376	.367	.004
FH	428	.250-28 UNJF-3B						.005
FH		.312-24 UNJF-3B						.006
								.006
								.007

# SPS FLEXLOC Self-Locking Nut Part Number Cross Reference Guide to AN, MS, NAS Numbers

AN PART #	ACTIVE SPS PART #	AN PART #	ACTIVE SPS PART #	AN PART #	ACTIVE SPS PART #	AN PART #	ACTIVE SPS PART #
<b>*AN 363</b> (CANCELED - SEE MS 21045, MS 21046)		-1614	32FT-1614	820C	75FT-820	632	60FS-632
-632	22FH-632	-1614C	32FT-1614	918	75FT-918	632C	60FS-632
-832	22FH-832	-1812	32FT-1812	918C	75FT-918	832	60FS-832
-1024	22FH-1024	-1812C	32FT-1812	1018	75FT-1018	832C	60FS-832
-1032	22FH-1032	-2012	32FT-2012	1018C	75FT-1018	1032	60FS-1032
-428	22FH-428	-2012C	32FT-2012	1216	75FT-1216	1032C	60FS-1032
-524	22FH-524	<b>*AN 364B</b>		1216C	75FT-1216	428	60FS-428
-624	22FH-624	(CANCELED - SEE MS 21045)		1414	75FT-1414	428C	60FS-428
-720	22FH-720	632	60FT-632	1414C	75FT-1414	524	60FS-524
-820	22FH-820	632C	60FT-632	1614	75FT-1614	524C	60FS-524
-918	32FH-918	832	60FT-832	1614C	75FT-1614	624	60FS-624
-1018	32FH-1018	832C	60FT-832	1812	75FT-1812	624C	60FS-624
-1216	32FH-1216	1032	60FT-1032	1812C	75FT-1812	720	60FS-720
<b>*AN 363C</b> (CANCELED - SEE MS 21045, MS 21046)		1032C	60FT-1032	2012	75FT-2012	720C	60FS-720
632	59FH-632	1032C	60FT-1032	2012C	75FT-2012	820	60FS-820
832	59FH-832	428	60FT-428	<b>*AN 365</b>		820C	60FS-820
1024	59FH-1024	428C	60FT-428	(CANCELED - SEE MS 21042)		918	60FS-918
1032	59FH-1032	428C	60FT-428	-440	22FH-440	918C	60FS-918
428	59FH-428	524	60FT-524	-440C	22FH-440	1018	60FS-1018
524	59FH-524	524C	60FT-524	-632	22FH-632	1018C	60FS-1018
624	59FH-624	624	60FT-624	-632C	22FH-632	1216	60FS-1216
720	59FH-720	624C	60FT-624	-640	22FH-640	1216C	60FS-1216
820	59FH-820	720	60FT-720	-640C	22FH-640	1414	60FS-1414
918	59FH-918	720C	60FT-720	-832	22FH-832	1414C	60FS-1414
1018	59FH-1018	820	60FT-820	-832C	22FH-832	1614	60FS-1614
1216	59FH-1216	820C	60FT-820	-1032	22FH-1032	1812	60FS-1812
<b>*AN 364</b> (CANCELED - SEE MS 21042, MS 21045)		918	60FT-918	-1032C	22FH-1032	1812C	60FS-1812
-632	22FT-632	918C	60FT-918	-428	22FH-428	2012	60FS-2012
-632C	22FT-632	1018	60FT-1018	-428C	22FH-428	2012C	60FS-2012
-832	22FT-832	1018C	60FT-1018	-524	22FH-524	<b>*AN 365D</b>	
-832C	22FT-832	1018C	60FT-1018	-524C	22FH-524	(CANCELED - SEE MS 21042)	
-1032	22FT-1032	1216	60FT-1216	-624	22FH-624	440	75FS-440
-1032C	22FT-1032	1216C	60FT-1216	-624C	22FH-624	440C	75FS-440
-428	22FT-428	1414	60FT-1414	-720	22FH-720	632	75FS-632
-428C	22FT-428	1414C	60FT-1414	-720C	22FH-720	632C	75FS-632
-524	22FT-524	1614	60FT-1614	-820	22FH-820	640	75FS-640
-524C	22FT-524	1614C	60FT-1614	-820C	22FH-820	640C	75FS-640
-624	22FT-624	1812	60FT-1812	-918	32FH-918	832	75FS-832
-624C	22FT-624	1812C	60FT-1812	-918C	32FH-918	832C	75FS-832
-720	22FT-720	2012	60FT-2012	-1018	32FH-1018	1032	75FS-1032
-720C	22FT-720	2012C	60FT-2012	-1018C	32FH-1018	1032C	75FS-1032
-820	22FT-820	<b>*AN 364D</b>		-1216	32FH-1216	428	75FS-428
-820C	22FT-820	(CANCELED - SEE MS 21045)		-1216C	32FH-1216	428C	75FS-428
-918	32FT-918	632	75FT-632	-1414	32FH-1414	524	75FS-524
-918C	32FT-918	632C	75FT-632	-1414C	32FH-1414	524C	75FS-524
-1018	32FT-1018	832	75FT-832	-1614	32FH-1614	624	75FS-624
-1018C	32FT-1018	832C	75FT-832	-1614C	32FH-1614	624C	75FS-624
-1216	32FT-1216	1032	75FT-1032	-1812	32FH-1812	720	75FS-720
-1216C	32FT-1216	1032C	75FT-1032	-1812C	32FH-1812	720C	75FS-720
-1414	32FT-1414	428	75FT-428	-2012	32FH-2012	820	75FS-820
-1414C	32FT-1414	428C	75FT-428	-2012C	32FH-2012	820C	75FS-820
		524	75FT-524	<b>*AN 365B</b>		918	75FS-918
		524C	75FT-524	(CANCELED - SEE MS 21042)		918C	75FS-918
		624	75FT-624	440	60FS-440	1018	75FS-1018
		624C	75FT-624	440C	60FS-440	1018C	75FS-1018
		720	75FT-720			1216	75FS-1216
		720C	75FT-720				
		820	75FT-820				

AN PART #	ACTIVE SPS PART #	AN PART #	ACTIVE SPS PART #	AN PART #	ACTIVE SPS PART #	AN PART #	ACTIVE SPS PART #
1216C	75FS-1216	918C	60FT-918	-624C	22FH-624	832C	75FS-832
1414	75FS-1414	1018	60FT-1018	-720	22FH-720	1032	75FS-1032
1414C	75FS-1414	1018C	60FT-1018	-720C	22FH-720	1032C	75FS-1032
1614	75FS-1614	1216	60FT-1216	-820	22FH-820	428	75FS-428
1614C	75FS-1614	1216C	60FT-1216	-820C	22FH-820	428C	75FS-428
1812	75FS-1812	1414	60FT-1414	-918	32FH-918	524	75FS-524
1812C	75FS-1812	1414C	60FT-1414	-918C	32FH-918	524C	75FS-524
2012	75FS-2012	1614	60FT-1614	-1018	32FH-1018	624	75FS-624
2012C	75FS-2012	1614C	60FT-1614	-1018C	32FH-1018	624C	75FS-624
<b>*MS 20364</b>		1812	60FT-1812	-1216	32FH-1216	720	75FS-720
<b>(CANCELED - SEE</b>		1812C	60FT-1812	-1216C	32FH-1216	720C	75FS-720
<b>MS 21245)</b>		2012	60FT-2012	-1414	32FH-1414	820	75FS-820
-632	22FT-632	2012C	60FT-2012	-1414C	32FH-1414	820C	75FS-820
-632C	22FT-632	<b>*MS 20364D</b>		-1614	32FH-1614	918	75FS-918
-832	22FT-832	<b>(CANCELED - SEE</b>		-1614C	32FH-1614	918C	75FS-918
-832C	22FT-832	<b>MS 21245)</b>		-1812	32FH-1812	1018	75FS-1018
-1032	22FT-1032	632	75FT-632	-1812C	32FH-1812	1018C	75FS-1018
-1032C	22FT-1032	632C	75FT-632	-2012	32FH-2012	1216	75FS-1216
-428	22FT-428	832	75FT-832	-2012C	32FH-2012	1216C	75FS-1216
-428C	22FT-428	832C	75FT-832	<b>*MS 20365B</b>		1414	75FS-1414
-524	22FT-524	1032	75FT-1032	<b>(CANCELED - SEE</b>		1414C	75FS-1414
-524C	22FT-524	1032C	75FT-1032	<b>MS 21042)</b>		1614	75FS-1614
-624	22FT-624	428	75FT-428	-440	60FS-440	1614C	75FS-1614
-624C	22FT-624	428C	75FT-428	-440C	60FS-440	1812	75FS-1812
-720	22FT-720	524	75FT-524	-632	60FS-632	1812C	75FS-1812
-720C	22FT-720	524C	75FT-524	-632C	60FS-632	2012	75FS-2012
-820	22FT-820	624	75FT-624	-832	60FS-832	2012C	75FS-2012
-820C	22FT-820	624C	75FT-624	-832C	60FS-832	<b>MS 20500</b>	
-918	32FT-918	720	75FT-720	-1032	60FS-1032	-1032	99F12-1032
-918C	32FT-918	720C	75FT-720	-1032C	60FS-1032	-428	99F12-428
-1018	32FT-1018	820	75FT-820	-428	60FS-428	-524	99F12-524
-1018C	32FT-1018	820C	75FT-820	-428C	60FS-428	-624	99F12-624
-1216	32FT-1216	918	75FT-918	-524	60FS-524	-720	99F12-720
-1216C	32FT-1216	918C	75FT-918	-524C	60FS-524	-720A	99F12-720UN
-1414	32FT-1414	1018	75FT-1018	-624	60FS-624	-820	99F12-820
-1414C	32FT-1414	1018C	75FT-1018	-624C	60FS-624	-918	99F12-918
-1614	32FT-1614	1216	75FT-1216	-720	60FS-720	-1018	99F12-1018
-1614C	32FT-1614	1216C	75FT-1216	-720C	60FS-720	-1216	99F12-1216
-1812	32FT-1812	1414	75FT-1414	-820	60FS-820	-1414	99F12-1414
-1812C	32FT-1812	1414C	75FT-1414	-820C	60FS-820	-1614	99F12-1614
-2012	32FT-2012	1614	75FT-1614	-918	60FS-918	<b>MS 21045</b>	
-2012C	32FT-2012	1614C	75FT-1614	-918C	60FS-918	-04	27FH-440
<b>*MS 20364B</b>		1812	75FT-1812	-1018	60FS-1018	-06	27FH-632
<b>(CANCELED - SEE</b>		1812C	75FT-1812	-1018C	60FS-1018	-08	27FH-832
<b>MS 21245)</b>		2012	75FT-2012	-1216	60FS-1216	-3	27FH-1032
632	60FT-632	2012C	75FT-2012	-1216C	60FS-1216	-4	27FH-428
632C	60FT-632	<b>*MS 20365</b>		-1414	60FS-1414	-5	27FH-524
832	60FT-832	<b>(CANCELED - SEE</b>		-1414C	60FS-1414	-6	27FH-624
832C	60FT-832	<b>MS 21042)</b>		-1614	60FS-1614	-7	27FH-720UN
1032	60FT-1032	-440	22FH-440	-1614C	60FS-1614	-8	27FH-820
1032C	60FT-1032	-440C	22FH-440	-1812	60FS-1812	-9	37FH-918
428	60FT-428	-632	22FH-632	-1812C	60FS-1812	-10	37FH-1018
428C	60FT-428	-632C	22FH-632	-2012	60FS-2012	-12	37FH-1216
524	60FT-524	-832	22FH-832	-2012C	60FS-2012	-14	37FH-1414
524C	60FT-524	-832C	22FH-832	<b>*MS 20365D</b>		-16	37FH-1612
624	60FT-624	-1032	22FH-1032	<b>(CANCELED - SEE</b>		-18	37FH-1812
624C	60FT-624	-1032C	22FH-1032	<b>MS 21042)</b>		-20	37FH-2012
720	60FT-720	-428	22FH-428	440	75FS-440	<b>MS 21045C</b>	
720C	60FT-720	-428C	22FH-428	440C	75FS-440	04	58FH-440
820	60FT-820	-524	22FH-524	632	75FS-632	06	58FH-632
820C	60FT-820	-524C	22FH-524	632C	75FS-632	08	58FH-832
918	60FT-918	-624	22FH-624	832	75FS-832	3	58FH-1032

AN PART #	ACTIVE SPS PART #	AN PART #	ACTIVE SPS PART #	AN PART #	ACTIVE SPS PART #	AN PART #	ACTIVE SPS PART #
4	58FH-428	12	48FT-1216	<b>NAS 1021E</b>		9	38FT-918
5	58FH-524	14	48FT-1414	04	67FS-440	10	38FT-1018
6	58FH-624	16	48FT-1612	06	67FS-632	12	38FT-1216
7	58FH-720UN	18	48FT-1812	08	67FS-832	14	38FT-1414
8	58FH-820	20	48FT-2012	3	67FS-1032	16	38FT-1612
9	58FH-918	22	48FT-2212	4	67FS-428	17	38FT-1614
10	58FH-1018	24	48FT-2412	5	67FS-524	18	38FT-1812
12	58FH-1216	<b>NAS 1021A</b>		6	67FS-624	20	38FT-2012
14	58FH-1414	04	27FH-440	7	67FS-720UN	<b>NAS 1022C</b>	
16	58FH-1612	06	27FH-632	8	67FS-820	06	59FT-632
18	58FH-1812	08	27FH-832	9	67FS-918	08	59FT-832
20	58FH-2012	3	27FH-1032	10	67FS-1018	3	59FT-1032
<b>MS 21045L</b>		4	27FH-428	12	67FS-1216	4	59FT-428
04	28FH-440	5	27FH-524	14	67FS-1414	5	59FT-524
06	28FH-632	6	27FH-624	16	67FS-1612	6	59FT-624
08	28FH-832	7	27FH-720UN	17	67FS-1614	7	59FT-720UN
3	28FH-1032	8	27FH-820	18	67FS-1812	8	59FT-820
4	28FH-428	9	37FH-918	20	67FS-2012	9	59FT-918
5	28FH-524	10	37FH-1018	<b>NAS 1021H</b>		10	59FT-1018
6	28FH-624	12	37FH-1216	04	75FS-440	12	59FT-1216
7	28FH-720UN	14	37FH-1414	06	75FS-632	14	59FT-1414
8	28FH-820	16	37FH-1612	08	75FS-832*	16	59FT-1612
9	38FH-918	17	37FH-1614	3	75FS-1032*	17	59FT-1614
10	38FH-1018	18	37FH-1812	4	75FS-428*	18	59FT-1812
12	38FH-1216	20	37FH-2012	5	75FS-524	20	59FT-2012
14	38FH-1414	<b>NAS 1021AM</b>		6	75FS-624	<b>NAS 1022E</b>	
16	38FH-1612	04	28FH-440	7	75FS-720UN	06	67FT-632
18	38FH-1812	06	28FH-632	8	75FS-820	08	67FT-832
20	38FH-2012	08	28FH-832	9	75FS-918	3	67FT-1032
<b>MS 21046C</b>		3	28FH-1032	10	75FS-1018	4	67FT-428
04	59FH-440	4	28FH-428	12	75FS-1216	5	67FT-524
06	59FH-632	5	28FH-524	14	75FS-1414	6	67FT-624
08	59FH-832	6	28FH-624	16	75FS-1612	7	67FT-720UN
3	59FH-1032	7	28FH-720	17	75FS-1614	8	67FT-820
4	59FH-428	8	28FH-820	18	75FS-1812	9	67FT-918
5	59FH-524	9	38FH-918	20	75FS-2012	10	67FT-1018
6	59FH-624	10	38FH-1018	<b>NAS 1022A</b>		12	67FT-1216
7	59FH-720UN	12	38FH-1216	06	27FT-632	14	67FT-1414
8	59FH-820	14	38FH-1414	08	27FT-832	16	67FT-1612
9	59FH-918	16	38FH-1612	3	27FT-1032	17	67FT-1614
10	59FH-1018	17	38FH-1614	4	27FT-428	18	67FT-1812
12	59FH-1216	18	38FH-1812	5	27FT-524	20	67FT-2012
14	59FH-1414	20	38FH-2012	6	27FT-624	<b>NAS 1022H</b>	
16	59FH-1612	<b>NAS 1021C</b>		7	27FT-720UN	06	75FT-632
18	59FH-1812	04	59FH-440	8	27FT-820	08	75FT-832*
20	59FH-2012	06	59FH-632	9	37FT-918	3	75FT-1032*
<b>MS 21245</b>		08	59FH-832	10	37FT-1018	4	75FT-428*
-7	47FT-720UN	3	59FH-1032	12	37FT-1216	5	75FT-524
-8	47FT-820	4	59FH-428	14	37FT-1414	6	75FT-624
-9	47FT-918	5	59FH-524	16	37FT-1612	7	75FT-720UN
-10	47FT-1018	6	59FH-624	17	37FT-1614	8	75FT-820
-12	47FT-1216	7	59FH-720UN	18	37FT-1812	9	75FT-918
-14	47FT-1414	8	59FH-820	20	37FT-2012	10	75FT-1018
-16	47FT-1612	9	59FH-918	<b>NAS 1022AM</b>		12	75FT-1216
-18	47FT-1812	10	59FH-1018	04	28FT-440	14	75FT-1414
-20	47FT-2012	12	59FH-1216	06	28FT-632	16	75FT-1612
-22	47FT-2212	14	59FH-1414	08	28FT-832	17	75FT-1614
-24	47FT-2412	16	59FH-1612	3	28FT-1032	18	75FT-1812
<b>MS 21245L</b>		17	59FH-1614	4	28FT-428	20	75FT-2012
7	48FT-720UN	18	59FH-1812	5	28FT-524		
8	48FT-820	20	59FH-2012	6	28FT-624		
9	48FT-918			7	28FT-720UN		
10	48FT-1018			8	28FT-820		

\* Cancelled "AN" drawings designate "MS" drawings which may be substituted.  
NOTE: These MS parts may not be of the same material or strength level.